



Properties

- Ø18 mm high grade steel housing
- 300 mm sensing range
- DC, 3-wire switching output
- Connector version

Technical Data

For detailed data and product description refer to the data sheets at www.pepperl-fuchs.com

Model Number	UBEC300-18GH40-SE2-V1
Sensing range	100 ... 300 mm
Transducer frequency	approx. 255 kHz
Operating voltage	10 ... 30 V DC , ripple 10 % _{SS}
No-load supply current	≤ 20 mA
Output type	PNP, NO
Rated operational current	200 mA , short-circuit/overload protected
Switching frequency	≤ 100 Hz
Input type	1 program input [receiver] switch point 1: -U _B ... +1 V, switch point 2: +6 V ... +U _B 1 test input [emitter] emitter deactivated: +6 V ... +U _B
Ambient temperature	-25 ... 70 °C (-13 ... 158 °F)
Material	
Housing	Stainless steel 1.4435 / AISI 316L O-ring for cover sealing: EPDM
Transducer	PTFE (diaphragm surface)
Protection degree	IP68 / IP69K
Connection type	Device connector M12 x 1 , 4-pin



Approvals and Certificates

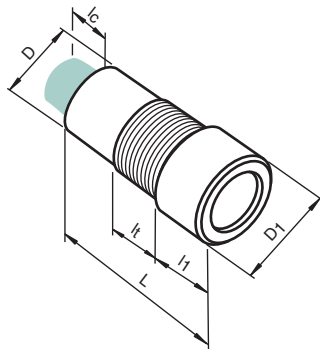
UL approval	cULus Listed, General Purpose
CSA approval	cCSAus Listed, General Purpose

Dimensions

Length L [mm]	43
Diameter D [mm]	18
Head diameter D ₁ [mm]	21
Thread length l _t [mm]	15
Head length l ₁ [mm]	13
Connector area l _c [mm]	10

Accessories This and more accessories can be found in chapter 3.5 from page 673
See pages from 972 ... for cordsets See pages 1068 ... for mounting aids

UB-PROG2	Programming unit
V1-GU-BK2M-PVC	Cable socket, M12 Ultra-Lock, 4-pin, PVC cable
V1-WU-BK2M-PVC	Cable socket, M12 Ultra-Lock, 4-pin, PVC cable



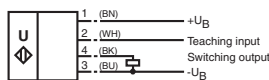
Electrical Connection



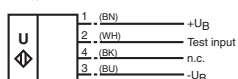
UBEC300-18GH40-SE2-V1

Standard symbol/Connection:
(version E2, pnp)

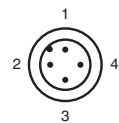
Receiver:



Emitter:



Core colours in accordance with EN 60947-5-2.



Wire colors in accordance with EN 60947-5-2

- 1 | BN (brown)
- 2 | WH (white)
- 3 | BU (blue)
- 4 | BK (black)

Date of issue 04/08/2015

3
2

Ultrasonic Sensors, Thru-Beam Sensors, cylindrical